



Ask for our catalogues



Guilbert Express reserves the right to change the features of the products described without notice. © Express. All rights reserved. The photos, illustrations and/or pictograms contained in the present Express brochure must not be reproduced, modified or transmitted, in whole or in part, in any form or using any method whatsoever, without the prior written permission of Guilbert EXPRESS. Following agreement by Guilbert Express, No Express photo can be used, to the benefit of a brand other than Express. In the same way, the products represented may not be designated using another name or reference other than the name or reference assigned by Guilbert Express. Should the above conditions not be respected, Guilbert Express reserves the right to pursue the matter through the courts.



GUILBERT EXPRESS
33, avenue du Maréchal de Lattre de Tassigny
F - 94127 Fontenay Sous Bois Cedex
Tel.: + 33 1 53 99 16 98
Fax: + 33 1 53 99 16 56

www.express.fr

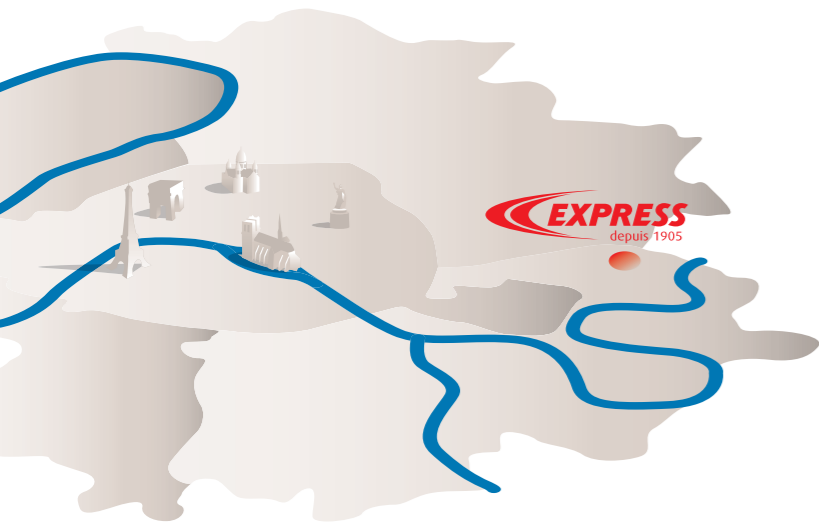


**ROOFING/
HEAT SHRINK
TOOLS**



GUILBERT Express + 100 years experience

Guilbert EXPRESS today



AT THE HEART OF A BUSINESS HUB IN EASTERN PARIS

Born in, and attached to the Paris region, the geographical location and all the services offered by Guilbert Express, in particular their factories, is more than just luck. This choice was a determining factor, enabling the synergy between all divisions to offer our clients unequalled quality.

A RESEARCH AND DEVELOPMENT DEPARTMENT

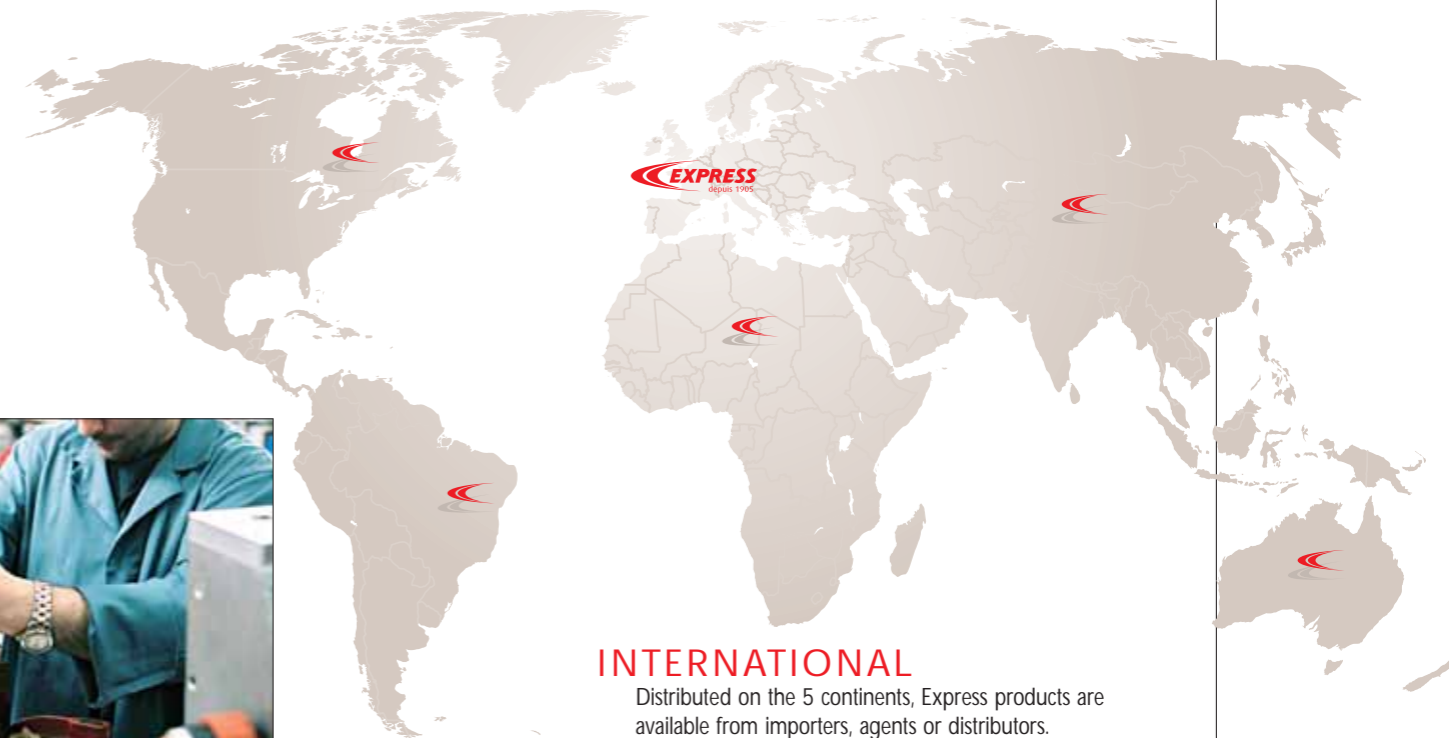
In direct contact with our factory, our engineers develop products for the future with updated means. (simulation 3D, prototype...)
GUILBERT EXPRESS has registered more than 50 patents and has invented the Cercoflam burner, the hoseless gas soldering iron and the Stop' Flam.

A LOGISTIC CENTER

A few minutes away from the factory, the logistic center benefits from a 3 800 m² surface of storage and several platforms for a quick delivery to the 5 continents.

TEST CENTER

Every product go through our test unit to be ensure of the optimum quality.



INTERNATIONAL

Distributed on the 5 continents, Express products are available from importers, agents or distributors.



TITAN' EXPRESS RANGE



Ref.	DESCRIPTION
50T	Titanium burner Ø 50 mm (1.96 in), 50 kW (184 157 BTU)
100T	Titanium burner Ø 60 mm (2.36 in), 100 kW (348 172 BTU)
150T	Titanium burner Ø 70 mm (2.75), 150 kW (511 547 BTU)



Ref. 50T

Ref. 100T

Ref. 150T

Ref.	DESCRIPTION
6120	Pack composed of 1 titanium burner ref. 100T + 1 neck tube ref. L400 + 1 handle ref. 605 3/8" left in + 10 m hose ref. 963/10 + 1 HP regulator 4 bar
6140	Pack composed of 1 titanium burner ref. 100T + 1 neck tube ref. L600 + 1 handle ref. 605 3/8" left in + 10 m hose ref. 963/10 + 1 HP regulator 4 bar
6211	Combo composed of 1 titanium burner ref. 150T + 1 titanium burner ref. 50T + 1 neck tube ref. L600 + 1 neck tube ref. L200 + 1 BI-material handle ref. 620 with swivel attachment + 10 m hose ref. 963/10 + 1 HP regulator 4 bar
6217	Pack composed of 1 titanium burner ref. 150T + 1 neck tube ref. L400 + 1 BI-material handle ref. 620 with trigger 3/8" left in with swivel attachment + 10 m hose ref. 963/10 + 1 HP regulator 4 bar
6221	Pack composed of 1 titanium burner ref. 150T + 1 neck tube ref. L400 + 1 BI-material handle with trigger ref. 620 with swivel attachment + 20 m hose ref. 963/20S + 1 HP regulator 4 bar
6213	Pack composed of 1 titanium burner ref. 100T + 1 neck tube ref. L400 + 1 BI-material handle ref. 620 with swivel attachment + 10 m hose ref. 963/10 + 1 HP regulator 4 bar
6214	Pack composed of 1 titanium burner ref. 150T + 1 neck tube ref. L600 + 1 BI-material handle ref. 620 with swivel attachment + 10 m hose ref. 963/10 + 1 HP regulator 4 bar
6215	Pack composed of 1 titanium burner ref. 50T + 1 neck tube ref. L200 + 1 BI-material handle ref. 620 with swivel attachment + 10 m hose ref. 963/10 + 1 HP regulator 4 bar
6422	Pack composed of 1 titanium burner ref. 150T + 1 neck tube ref. L400 + 1 metal handle ref. 640 with swivel attachment + 20 m hose ref. 963/20S + 1 HP regulator 4 bar
7100	Kit composed of 1 titanium burner ref. 100T + 1 neck tube ref. L600 + 1 BI-material handle ref. 620 with trigger 3/8" left in with swivel attachment
32701	Transportation bag for roofing torch TITAN' EXPRESS



Ref. 32701

→ Ultra powerful roofing torches
→ TITANIUM burners :
Ultralight and ultrastrong



Ref. 6211



Ref. 6221



Ref. 6215



Ref. 7100

Ref.	DESCRIPTION
50TL200	Titanium burner Ø 50 mm, 50 kW + neck tube 130 mm
100TL400	Titanium burner Ø 60 mm, 100 kW + neck tube 400 mm
150TL200	Titanium burner Ø 70 mm, 150 kW + neck tube 130 mm
150TL400	Titanium burner Ø 70 mm, 150 kW + neck tube 400 mm
150TL600	Titanium burner Ø 70 mm, 150 kW + neck tube 600 mm



Ref. 50TL200

Ref. 150TL200

Ref. 100TL400

Ref. 150TL400

Ref. 150TL600



STAINLESS STEEL' EXPRESS RANGE



Ref.	DESCRIPTION
35S	Stainless steel burner Ø 40 mm (1.57 in), 35kW (127 887 BTU)
50S	Stainless steel burner Ø 50 mm (1.96 in), 50 kW (184 157 BTU)
100S	Stainless steel burner Ø 60 mm (2.36 in), 100 kW (348 172 BTU)

→ Stainless Steel
→ Durable



Ref. 35S Ref. 50S Ref. 100S

Ref.	DESCRIPTION
6110	Pack composed of 1 inox burner ref. 100S + 1 neck tube ref. L400 + 1 handle ref. 605 3/8" left in + 10 m hose ref. 963/10 + 1 HP regulator 4 bar
6130	Pack composed of 1 inox burner ref. 100S + 1 neck tube ref. L600 + 1 handle ref. 605 3/8" left in + 10 m hose ref. 963/10 + 1 HP regulator 4 bar
6421	Pack composed of 1 stainless steel burner ref. 100S + 1 neck tube ref. L400 + 1 metal handle ref. 640 with swivel attachment + 20 m hose ref. 963/20S + 1 HP regulator 4 bar
6212	Pack composed of 1 stainless steel burner ref. 100S + 1 neck tube ref. L400 + 1 BI-material handel with trigger ref. 620 with swivel attachment + 10 m hose ref. 963/10 + 1 HP regulator 4 bar
6411	Pack "Special sills/ledges" composed of 1 stainless steel burner ref. 50S + 1 neck tube ref. L200 + 1 metal handle ref. 640 with swivel attachment + 10 m hose ref. 963/10 + 1 HP regulator 4 bar
6216	Pack composed of 1 stainless steel burner ref. 100S + 1 neck tube ref. L600 + 1 BI-material handle ref. 620 with swivel attachment + 10 m hose ref. 963/10 + 1 HP regulator 4 bar
7000	Kit composed of 1 inox burner ref. 100S + 1 neck tube ref. L600 + 1 BI-material handle ref. 620 with trigger 3/8" left in with swivel attachment
32701	Transportation bag for roofing torch STAINLESS STEEL' EXPRESS



Ref. 6216



Ref. 7000



Ref. 6421



Ref. 32701



Ref. 6411



Ref. 6212

Ref.	DESCRIPTION
L200	Neck tube 130 mm (5.11 in) for roofing torch
L400	Neck tube 400 mm (15.74 in) for roofing torch
L600	Neck tube 600 mm (23.62 in) for roofing torch
4730	Adjustable stainless steel foot for roofing torch

→ Neck tubes suited to users' heights and to the working environment



Ref. 35SL200



Ref. 50SL200



Ref. 100SL200



Ref. 100SL400



Ref. 100SL600



Ref. L200

Ref. L400

Ref. L600



Ref. 4730

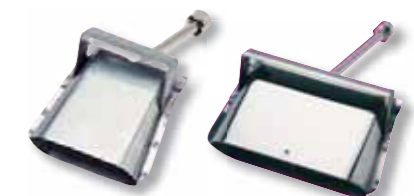
Ref.	DESCRIPTION
35SL200	Stainless steel burner Ø 40 mm, 35 kW + neck tube 130 mm - "Special sills/ledges"
50SL200	Stainless steel burner Ø 50 mm, 50 kW + neck tube 130 mm
100SL200	Stainless steel burner Ø 60 mm, 100 kW + neck tube 130 mm
100SL400	Stainless steel burner Ø 60 mm, 100 kW + neck tube 400 mm
100SL600	Stainless steel burner Ø 60 mm, 100 kW + neck tube 600 mm

TORCH FLAME BURNERS

Ref.	Ø Burner head mm	Total length mm	Gas consumption g/h (4 bar)	Power kW (4 bar)	Weight (g)	Flame length mm (3 bar)
1660	100 X 35	210	1110	15,3	400	310
1662	168 X 48	260	2720	37,5	620	600

FLAT FLAME

→ Burner head with rear air intake for an excellent flame in any position, in particular towards the ground



Ref. 1660

Ref. 1662

SETS

Ref.	DESCRIPTION
6093	Set composed of a BI-material handle with trigger, with swivel attachment + 10 m hose ref. 963/10 + HP regulator 4 bar
6196	Set composed of a handle with trigger, aluminium, and swivel attachment ref. 640 + 10 m hose ref. 963/10 + HP regulator
6420	Set composed of a handle with trigger, aluminium, with swivel attachment ref. 640 + 20 m hose ref. 963/20S + HP regulator 4 bar

All metal economy handle with trigger and swivel attachment to ensure the hose doesn't twist
Heat and solvent resistant handle



Ref. 6196



Ref. 6420

- Economy handle with trigger and swivel attachment to ensure the hose doesn't twist
- BI-material handle (ABS)



Ref. 6093

HANDLES

Ref.	DESCRIPTION
605	Handle with trigger, 3/8" left in
620	BI-material handle with trigger and swivel attachment, 3/8" left in
640	Handle with trigger, aluminium, and swivel attachment, 3/8" left in

- Thumb adjustment adaptable handles
- Double burner connection seal: nitrile joint and metal on metal cone
- 3/8" G connection thread
- Connection thread to burners M18 X 1 male



Ref. 620



Ref. 640



Ref. 605

- Comfort (ABS)

- Easy-maintenance metal

HOSES

- * Safe Handle/holder connection with 3/8" left-hand connector

Ref.	DESCRIPTION
948	Rubber hose (the meter) Ø internal 8 mm, NF EN ISO 3821
948/40	Rubber hose (the meter) in box Ø internal 8 mm, NF EN ISO 3821
963/5	Rubber hose 4.75 m Ø internal 6.3 mm NF EN ISO 3821 mounted with 3/8" left female connections
963/10	Rubber hose 10 m Ø internal 6.3 mm NF EN ISO 3821 mounted with 3/8" left female connections
963/20	Rubber hose (the meter) Ø internal 6.3 mm, NF EN ISO 3821
963/20S	Rubber hose 20 m Ø int. 6.3 mm NF EN ISO 3821 mounted with 3/8" left female connexion



Ref. 948



Ref. 948/40



Ref. 963/20S*



Ref. 963/20



Ref. 963/10*



Ref. 963/5*

HIGH PRESSURE REGULATORS

Ref.	DESCRIPTION
684	HP regulator 4 bar, 3/8" left out
686	HP regulator variable from 2 to 4 bar with security, 3/8" left out
694	HP regulator variable de 2 to 4 bar with manometer and security 3/8" left out

- Input: butterfly cannister connector ø 21.8 X 1.814 left hand connector
- 3/8" G thread
- 5 year guarantee



Ref. 684



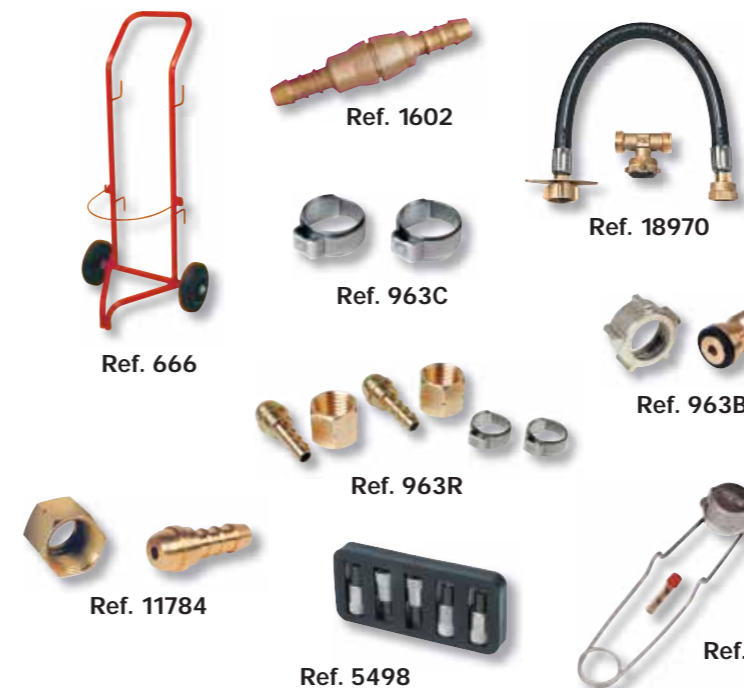
Ref. 686



Ref. 694

Standard designation (EN 13785)	Shell G.2	German G.3	British POL G.7	Italian G.1	US POL G.9
	A : W 21.8 x 1/14 lh	A : W 21.8 x 1/14 lh	A : G 5/8 lh	A : W 20 x 1/14 lh	A : 0.880-14 NGO lh

ACCESSORIES



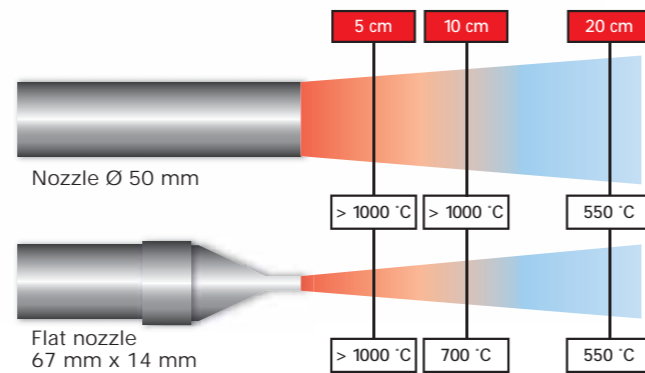
Ref.	DESCRIPTION
18970	Double connexion for propane bottle including 1 T-connexion, 1 U-shapped hose
5460	Ignitor + 5 stones
5498	Box of 5 stones
1602	Swivel attachment for rubber hose Ø internal 8 mm
954	Hose clips for rubber hose Ø internal 8 mm (bag of 10 pieces)
11784	Nipple + bolt for ref. 360, 367
666	Gas cylinder trolley for 13 and 35 kg cylinders
963B	Direct connection for butane cylinder: threaded outlet 3/8" left male
963C	Pack of 10 clips for hoses Ø 6.3
963R	Kit of 2 connections nipple-shaped for hose Ø 6.3 with 2 nuts 3/8" left + 2 clips

SIROCCO, TORCH WITHOUT VISIBLE FLAME

Ref.	DESCRIPTION
4010	SIROCCO without visible flame torch. Power 6kW at 1.5 bar - 11 kW at 3 bar. Supplied in a plastic case with 1 HP regulator (automatic pressure regulation) + 1 pre-assembled 8-metre Ø 6.3 mm double hose (air + gas) ref. 35590 + 1 support base + 1 pair of gloves

THE POWER OF GAS, THE SAFETY OF HOT AIR

- Torch without visible flame
- Titanium, an ultra-resistant material for avoiding repetitive muscle strain injuries
- Light weight : < 1kg
- Safety handle
- Excess flow safety device on regulator gauge
- Adjustable power (1.5 > 3 bar) : from 7 to 12 kW
- Flow rate (g/h) : 745 g/h at 2 bar
- Air consumption (l/min at 2 bar) : 10.2
Air compressor required
output over 20 l/min - Pressure : 6 bar



BURNERS / PILOT LIGHTS



Ref.	DESCRIPTION
614	Burner 19.32 kW, 1.5 bar
621	Burner 45.54 kW, 1.5 bar
622	Burner 92.46 kW, 1.5 bar
624	Burner with pilot light 147.66 kW, 1.5 bar
2021	Pilot flame for burner ref. 621
2022	Pilot flame for burner ref. 622
5463	Tripod for burner ref. 614
5325	Tripod for burner ref. 621

RAFALE "BLACK EDITION"

Ref.	DESCRIPTION
4040	Rafale 40. Shrinkforming gun 40 kW. Delivered in plastic case, with swivel attachment and piezo ignition + HP regulator + 8 m hose
4065	Rafale 65. Shrinkforming gun 65 kW. Delivered in plastic case, with swivel attachment and piezo ignition + HP regulator + 8 m hose + reflector + gloves



Automatic ignition
Fast swivel connection
CE 1312

- Removal of polyethylene sheets regardless of thickness both in the factory and on-site
- Pack bundling
- Parts or machines in all shapes and formats

Standard designation	Shell G.2	German G.3	British POL G.7	Italian G.1	US POL G.9
(EN 13785)	A : W 21.8 x 1/14 lh	A : W 21.8 x 1/14 lh	A : G 5/8 lh	A : W 20 x 1/14 lh	A : 0.880-14 NGO lh



HEATING GUN



- Automatic ignition
- 2 hour running time
- Works in any position
- Works till : -8° C (-46°F)
- Adjustable temperature : 400° C - 750° C (752°F - 1382°F)

Ref.	DESCRIPTION
4500	Hot air gun, ajustable from 400° C to 750° C, delivered with 2 nozzeles (flat and reflector) + 1 gas cartridge ref. 444
4500V	Hot air gun, ajustable from 400° C to 750° C, delivered with 1 gas cartridge ref. 444
11770	Barrel protector
11255	Concave reflector
11965	Shrink nozzle
444	Butane + propane + propene (15%) cartridge 60 g with foam for immediate return for soldering iron ref. 364, 6364, 4500 and 134
445	Super gas cartridge propene (26%) + butane + propane (60 g), with foam, for immediate return for ref. 364, 6364, 134



Ref. 11255



Ref. 11965



Ref. 11770



Ref. 444



Ref. 445

Heat zinc without breaking
 Shape sleeves and PVC tubes
 Heat shrinkable tubing
 Unglue plastic tiles and adhesives
 Make it easy to install flexible flooring
 Dry plasterboard joint tape
 Strip and dry paint and varnish
 De-ice pipework and locks
 Unjam nuts and screws



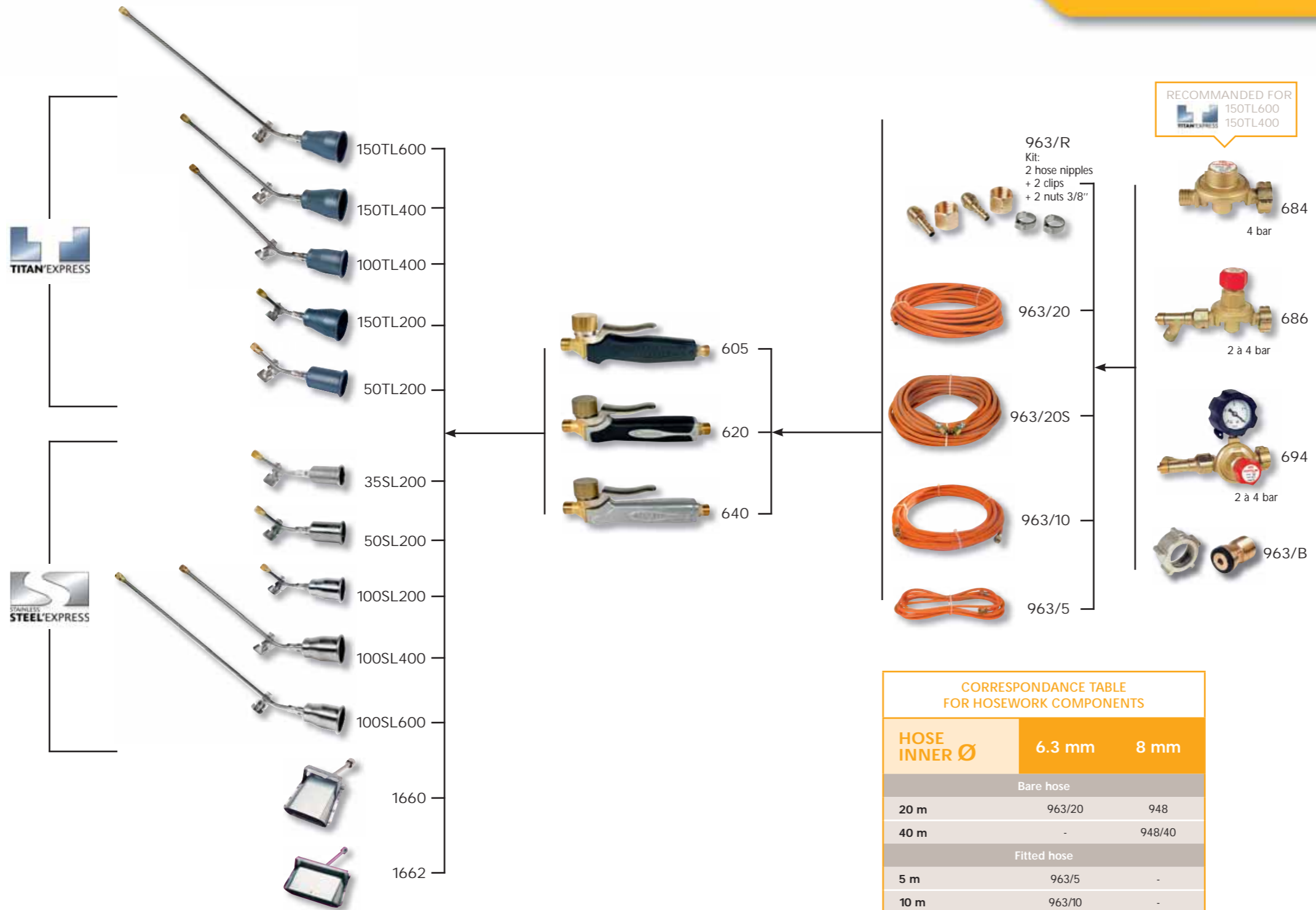
WIDE STRUCTURED RANGES



Actual products may differ from photographs

→ Guilbert Express offers complete, innovative ranges of heating tools supported by attractive marketing to meet the expectations of Professionals and the General Public alike.

COMBINATION CHART



CORRESPONDANCE TABLE FOR HOSEWORK COMPONENTS

HOSE INNER Ø	6.3 mm	8 mm
Bare hose		
20 m	963/20	948
40 m	-	948/40
Fitted hose		
5 m	963/5	-
10 m	963/10	-
20 m	963/20S	-
Connections and clips		
Connection for gas bottle	963 B	924
Connection for regulator 3/8" left	963 R (2 sides)	11784 (1 side)
Clip	963 C (x10)	954 (x20)

Standard designation	(EN 13785)	
Shell G.2	A : W 218 x 1/14 lh	
German G.3	A : W 218 x 1/14 lh	
British POL G.7	A : G 5/8 lh	
Italian G.1	A : W 20 x 1/14 lh	
US POL G.9	A : 0.880-14 NGO lh	